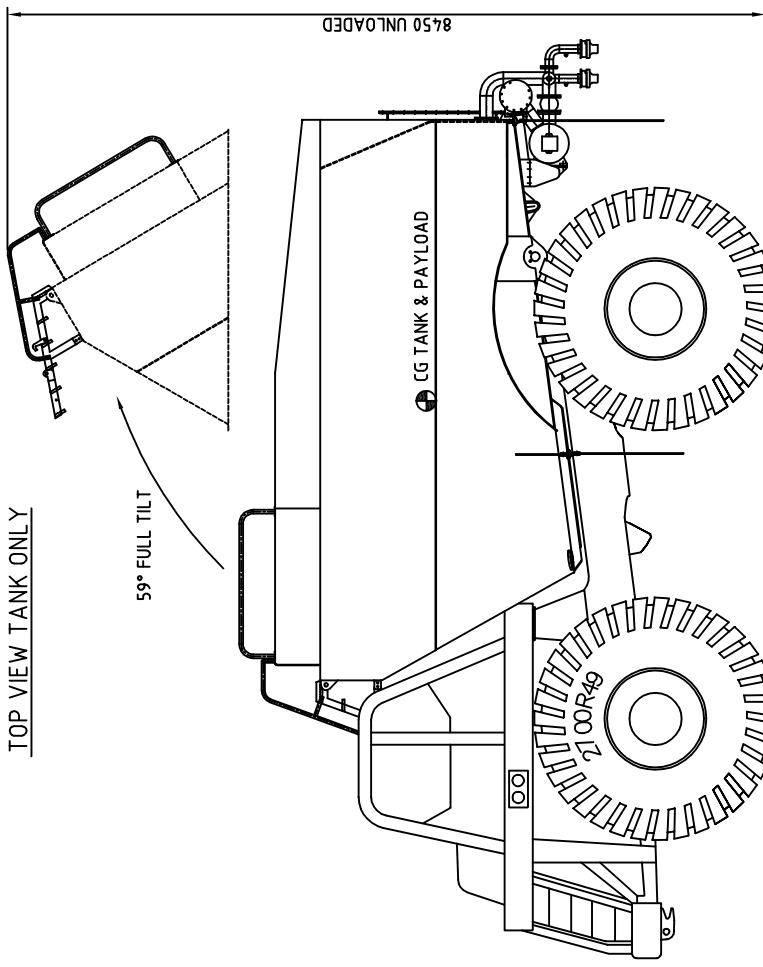
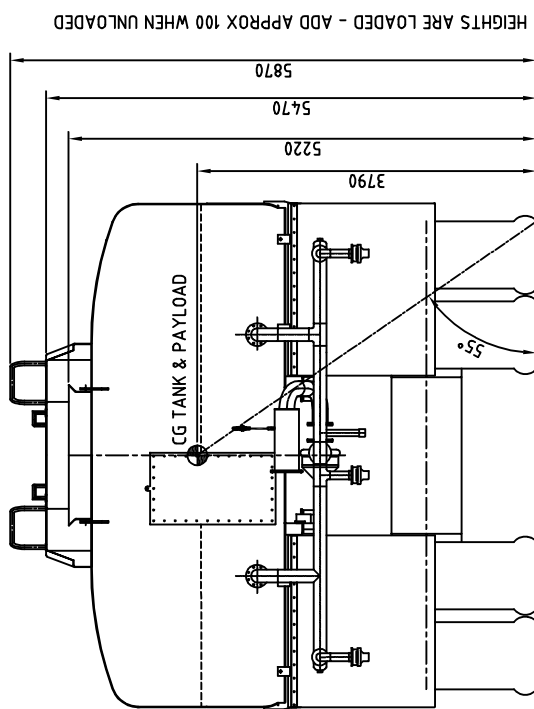


TOP VIEW TANK ONLY




LEFT SIDE VIEW



REAR VIEW

HEIGHTS ARE LOADED - ADD APPROX 100 WHEN UNLOADED

A rev 17/07/07 ISSUED FOR INFORMATION REV BY DATE DESCRIPTION	REFERENCE DRAWING TITLE	DRAWING STATUS INFORMATION ONLY	CLIENT	 KADOR ENGINEERING (AUST) PTY.LTD. 140 ORCHARD ST, SUMNER PARK 4074 QLD 4074, AUSTRALIA TEL: 07 33765281 FAX: 07 33765281 admin@kador.com.au	DRAWN BY: rhhg	KADOR SR 75 STANDARD WATER TANK PLUS OPTIONAL TOP ACCESS LADDER & HANDRAILS
					DATE DRN: 27/07/07	CAT 777F TRUCK GENERAL ARRGT