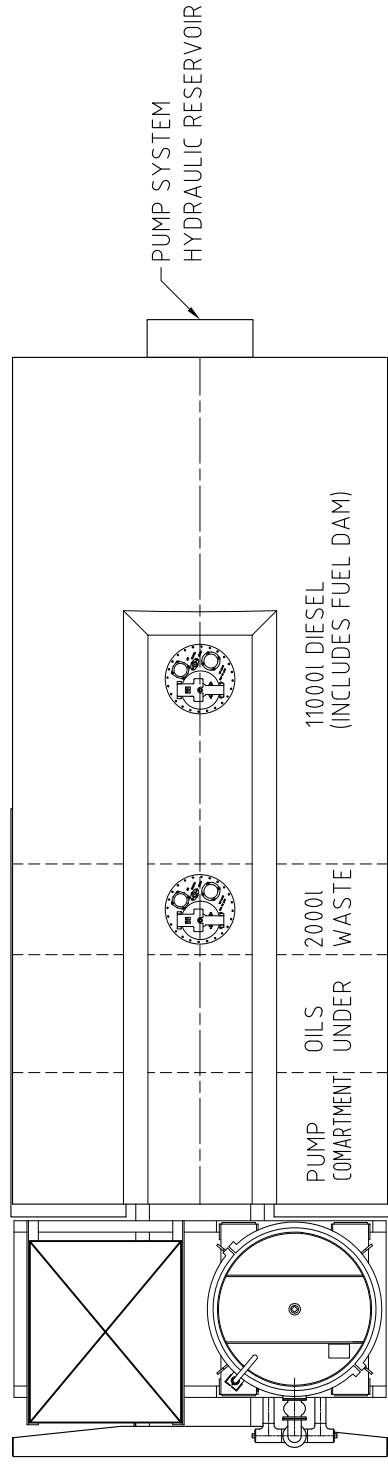
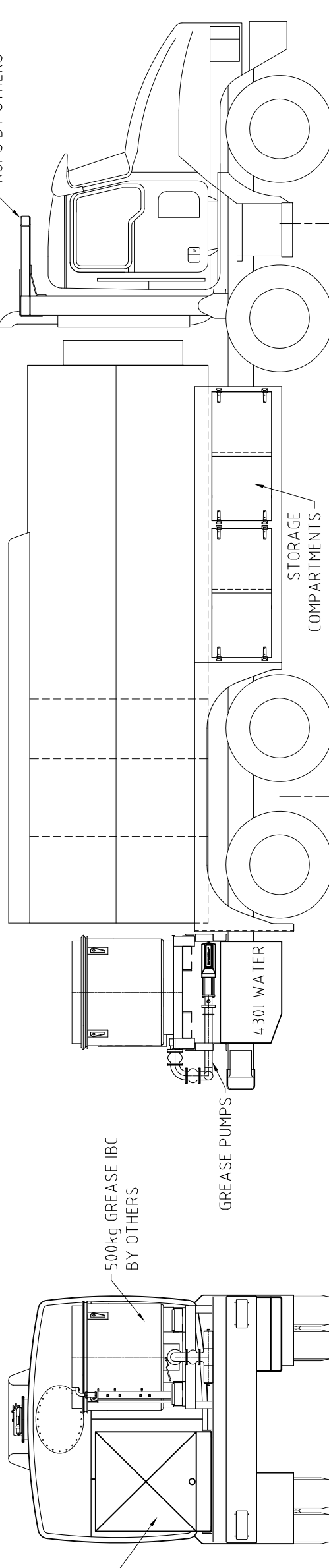


- NOTES:
1. AXLE LOADINGS ARE PROVISIONAL. METROLINER TARE WEIGHTS STILL TO BE CONFIRMED.
 2. GROSS AXLE LOADINGS ASSUME WASTE COMPARTMENT IS EMPTY.
 3. GVM 33000kg.



TOP VIEW OF MODULE



TARE 10100kg
GROSS 20600kg

TARE 7900kg
GROSS 11800kg

DRAWING STATUS

FOR INFORMATION

THIRD ANGLE PROJECTION

mecad engineers pty ltd
ABN 41 108 262 988

184 Priors Pocket Road
MOGGILL QLD 4070
mob: 0418725053 ph/fax: 07 32027584
email: contact@mecad.com.au

CLIENT

KA
DOR
KADOR ENGINEERING

MACK METROLINER 8x4 FUEL TRUCK
GENERAL ARRANGEMENT

DRAWN BY: rhg
DATE DRN: 16/07/07
SCALE: 1:50
SHEET SIZE: A3

DRAWING No.: 1722-01-03

REV: B

| REV | BY | DATE | DESCRIPTION |
|-----|-----|----------|---|
| B | rhg | 23/07/07 | GREASE PUMPS RELOCATED. WATER TANK WAS 500L. HOSE REELS MOVED TO LEFT SIDE. TANK FILL RECEIVERS ADDED |
| A | rhg | 17/07/07 | ISSUED FOR INFORMATION |