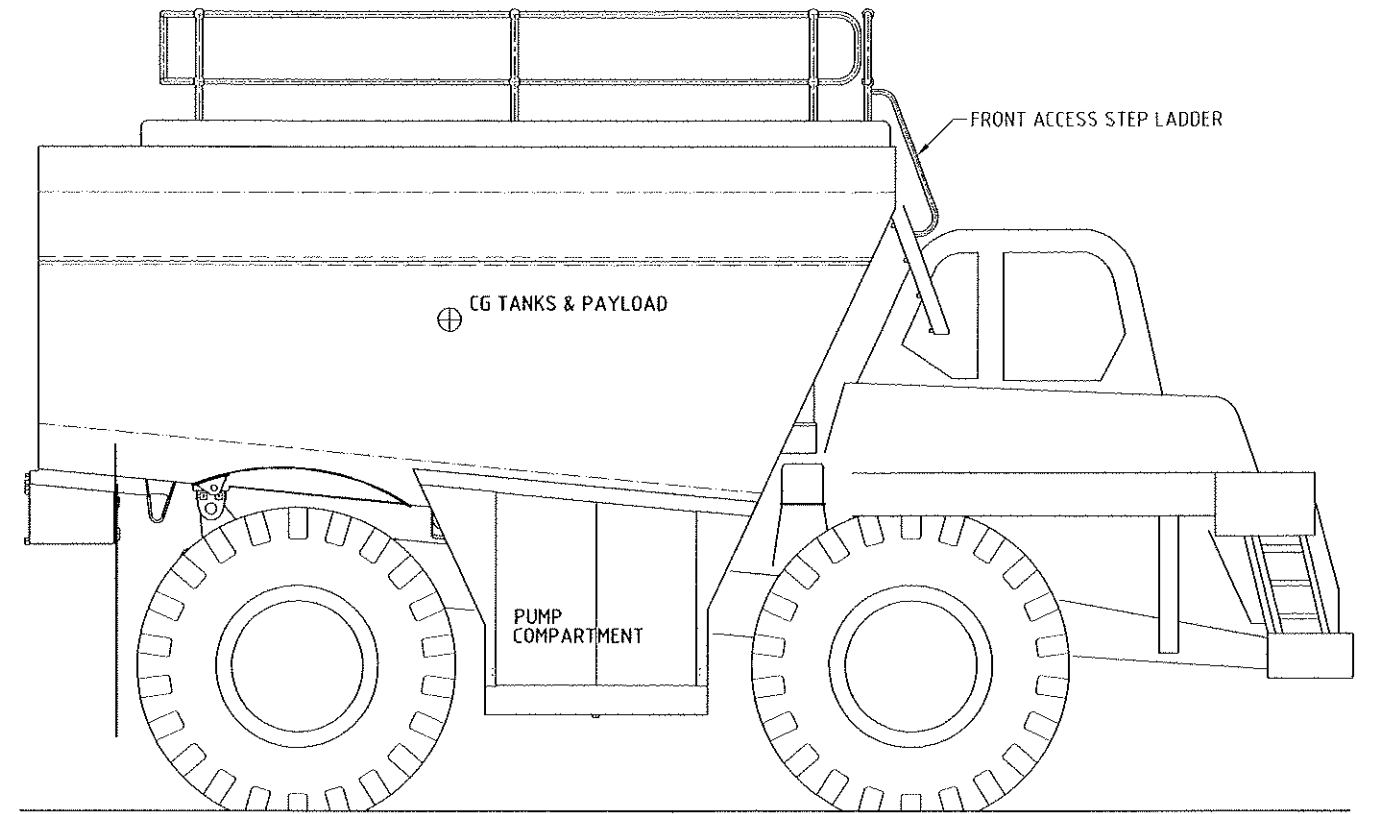
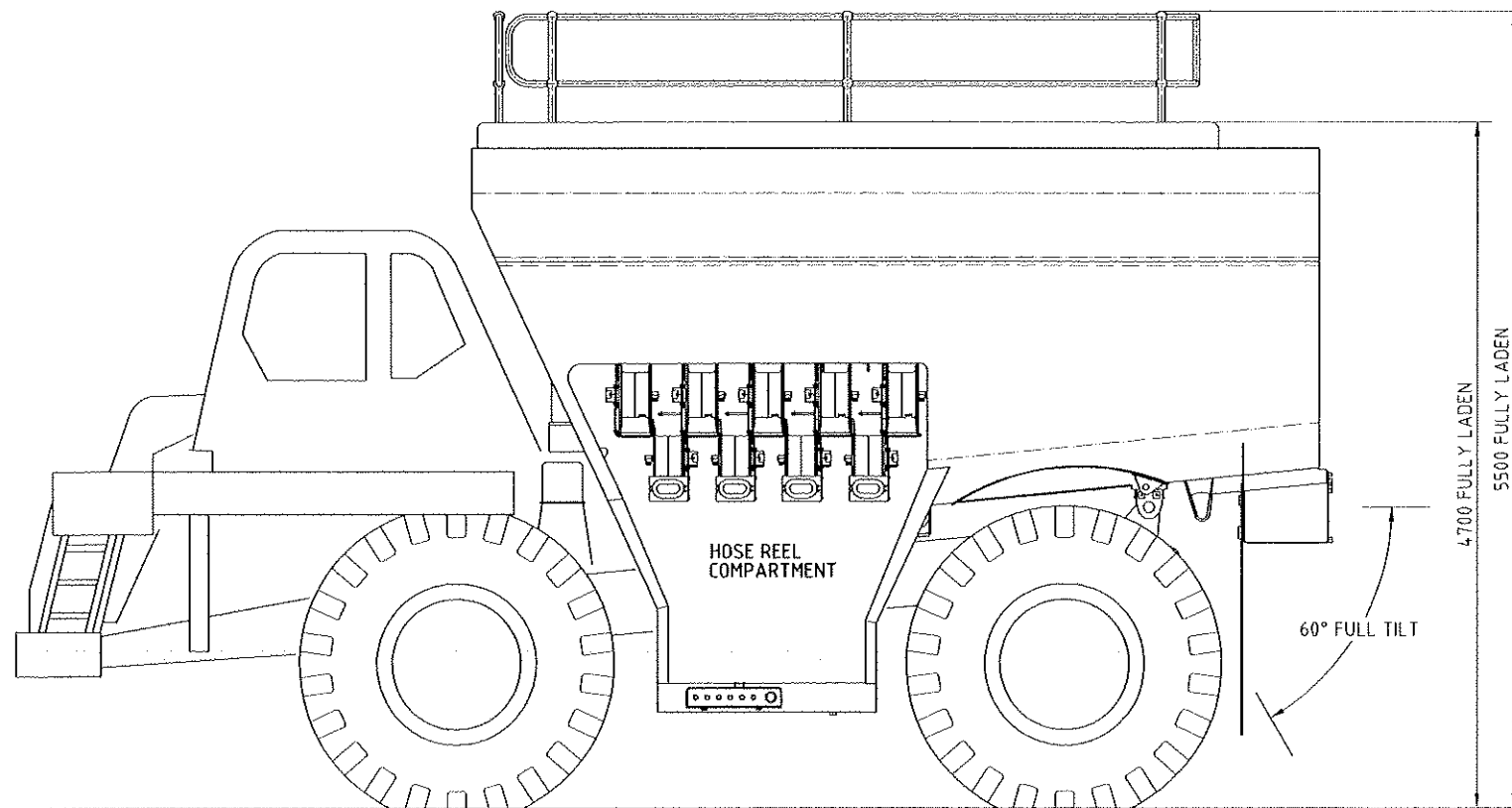


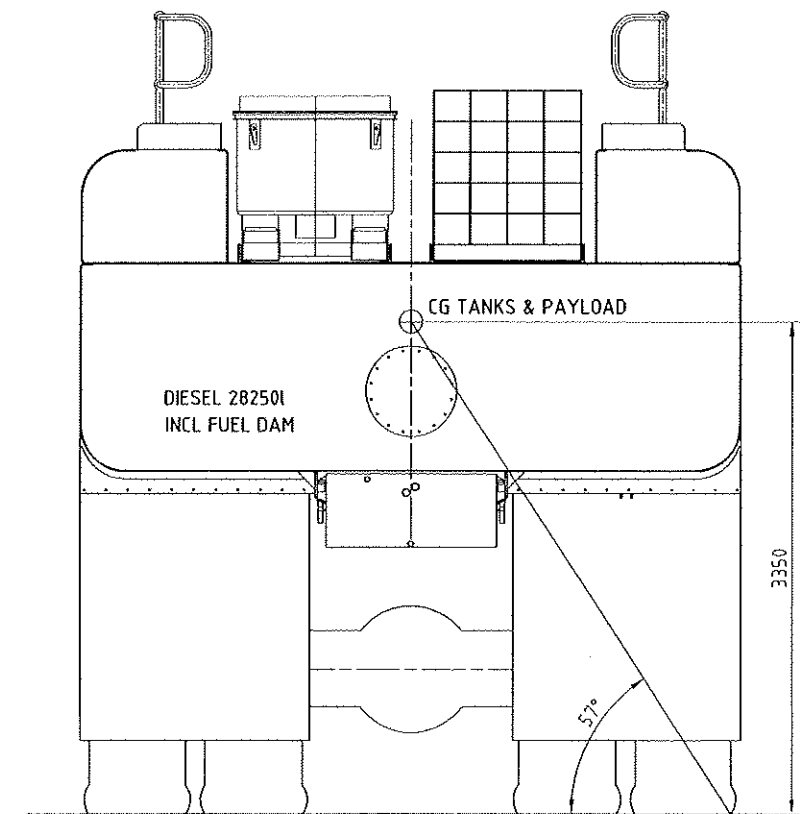
TOP VIEW



RIGHT SIDE VIEW



LEFT SIDE VIEW



REAR VIEW

DRAWING STATUS <b>FOR INFORMATION</b>		<b>mecad engineers pty ltd</b> ABN 41 106 262 988 184 Priors Pocket Road MOGGILL QLD 4070 mob: 0418725053 ph/fax: 07 32027584 email: contact@mecad.com.au	CLIENT <b>KADOR ENGINEERING</b>	DRAWN BY: rhg DATE DRN: 08/03/09 SCALE: 1:40 SHEET SIZE: A3	SERVICE TRUCK GENERAL ARRANGEMENT
THIRD ANGLE PROJECTION				DRAWING No.: 1904-01-01 REV: A	
A REV BY: rhg DATE: 08/03/09 DESCRIPTION: ISSUED FOR INFORMATION					