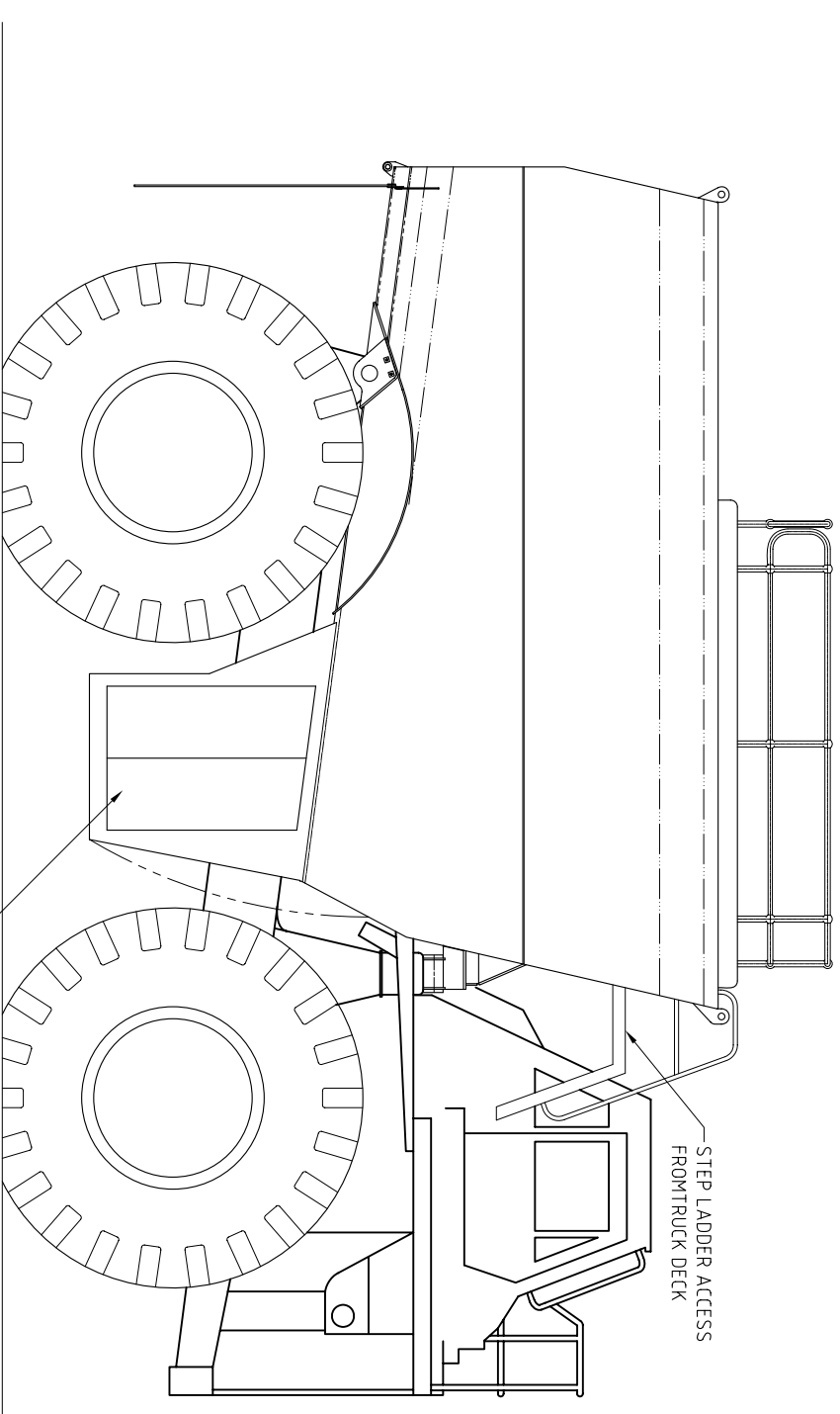
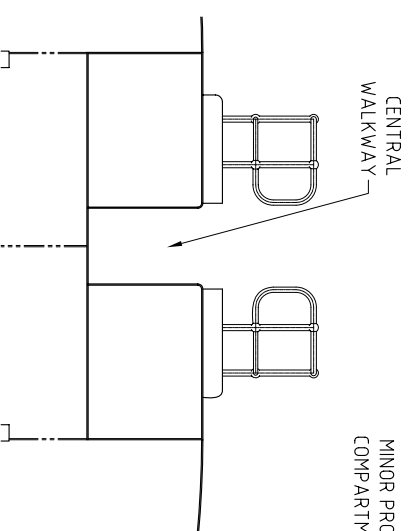


TOP VIEW - TANK ONLY

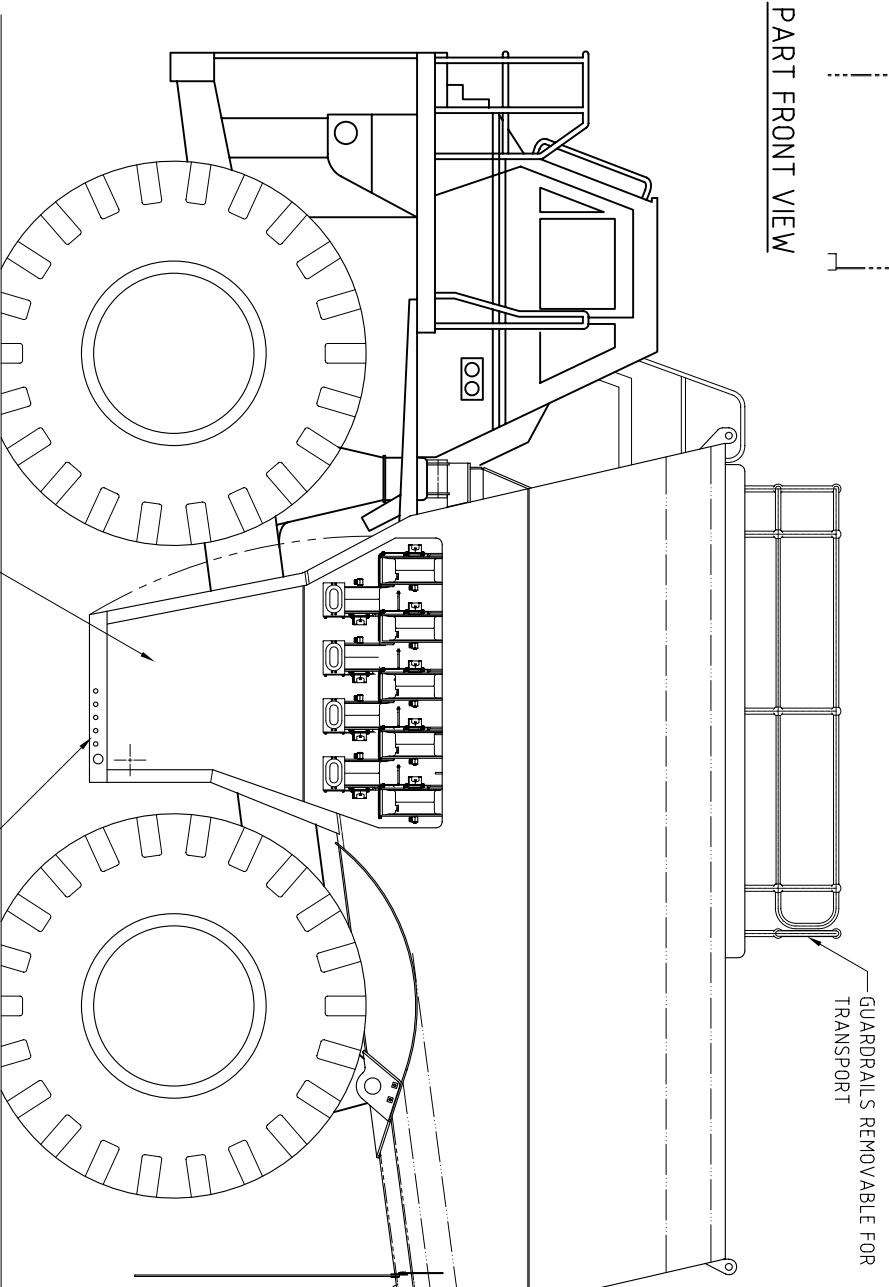
TOTAL PRODUCT CAPACITY = 97 kL



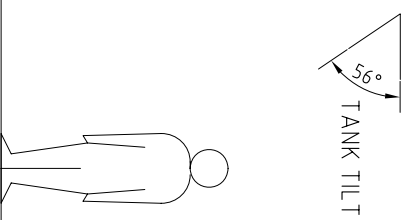
RIGHT SIDE VIEW



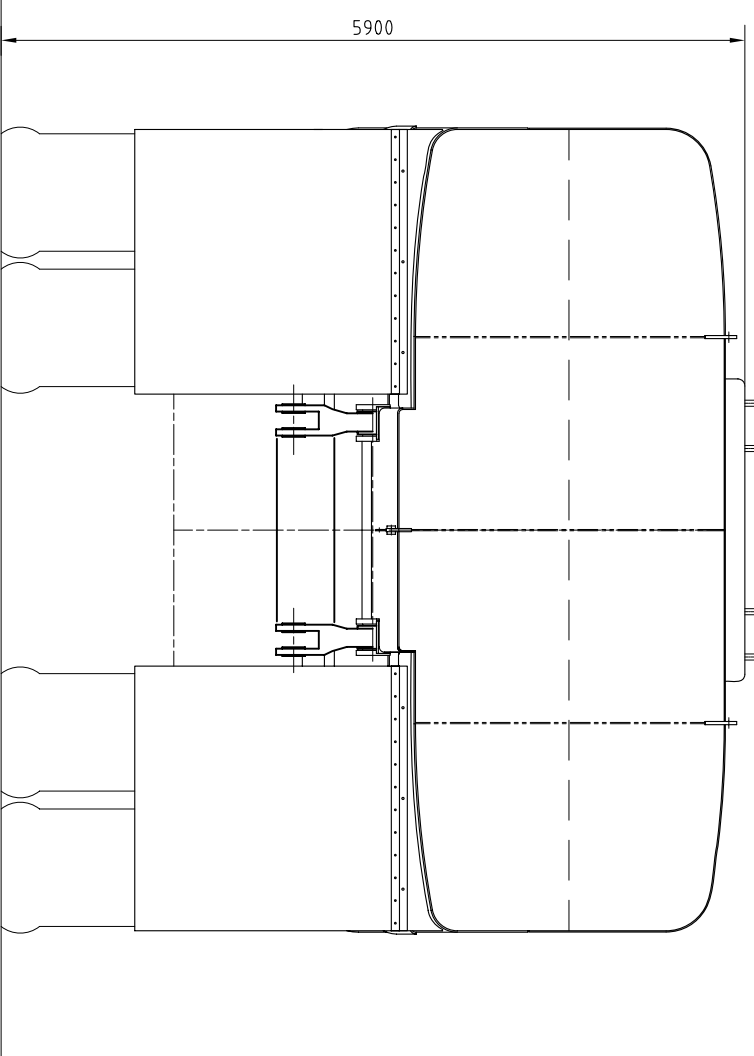
PART FRONT VIEW



LEFT SIDE VIEW



TANK TILT



REAR VIEW

REV	BY	DATE	ISSUED FOR INFORMATION
A	rhg	30/11/05	

DRG NO.	REFERENCE DRAWING TITLE

DRAWING STATUS	CLIENT
INFORMATION ISSUE	


**KADOR ENGINEERING (AUST) PTY.LTD.**  
 148 CORALT ST, CAROLE PARK 4300  
 Ph: 07 3271 1144, FAX: 07 32711959  
 admin@kador.com.au  
 14 BORON ST, SUNNER PARK 4074  
 Ph: 07 3376 4455 FAX: 07 33765301  
 admin@kador.com.au

DRAWN BY:	DATE DRN:	SHEET SIZE:
rhg	30/11/05	A3
SCALE:	DRAWING No.: 1525-01-00-1	
1:60	REV: A	

CAT 785 SERVICE TRUCK
GENERAL ARRANGEMENT